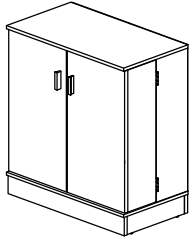


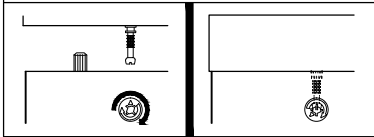
# Assembly Instruction

Model : DC - 5

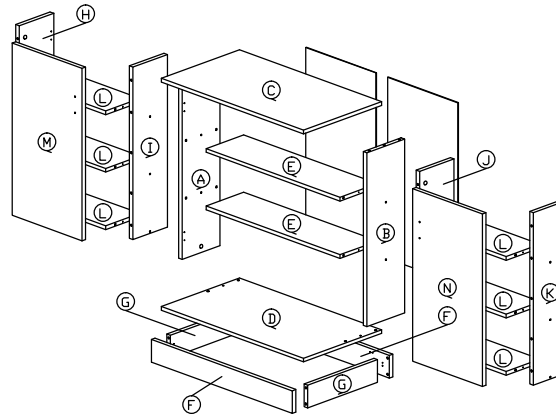


Hardware List			
No.	SHAPE	DESCRIPTION	Qty.
1		8x25mm Wood Dowel	56Pcs
2		15MM Myfix Minifix	16Sets
3		M3.5x16mm Screw	48Pcs
4		M4x38mm Screw	12Pcs
5		Nail	24Pcs
6		Handle L Shape (84mm) M3.6x20mm Screw	2Sets
7		L Bracket	8Pcs
8		Hinges (RA4406 180°)	4Pcs
9		Nail Leg	4Pcs
10		Brown Magnet 2 Pin Flat Head Tapping Screw M6x10mm ZB	2Sets

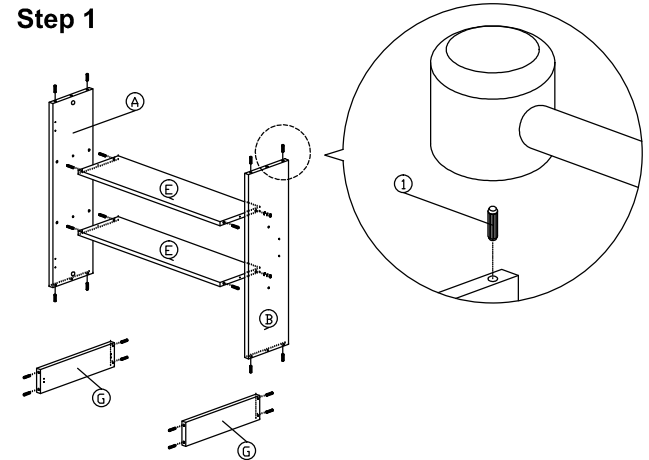
## Dowel / Cam - Lock Installation



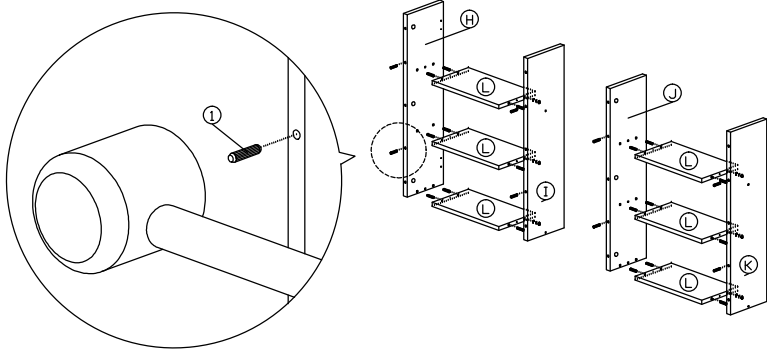
## Part List



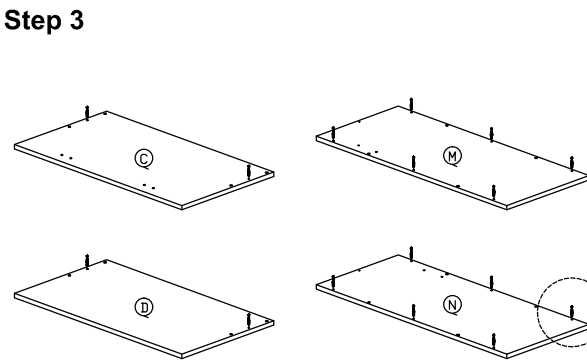
## Step 1



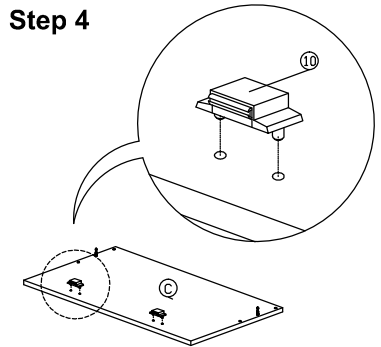
## Step 2



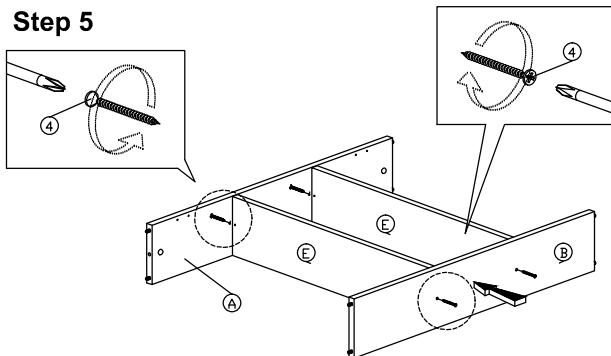
## Step 3



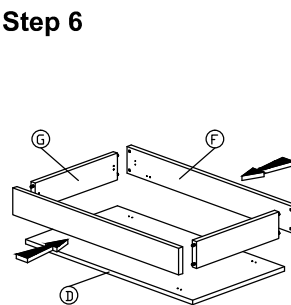
## Step 4



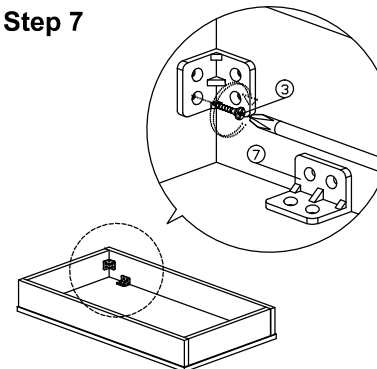
## Step 5



## Step 6



## Step 7



## Step 8

